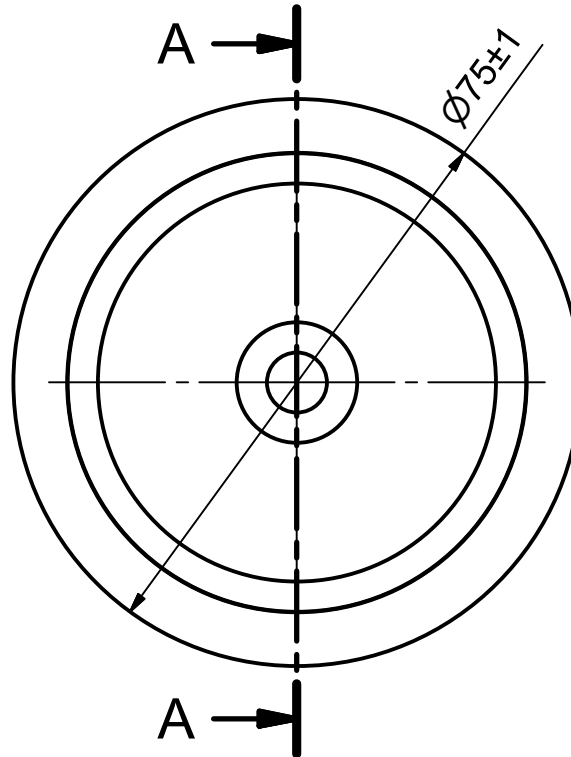
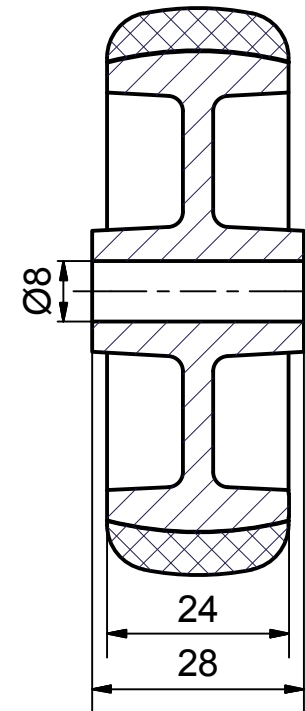





**Load Capacity: 60kg
for speed up to 4km/h
(According to EN 12530)**



SECTION A-A'



 THESSALONIKI - GREECE	PRODUCTION OF INSTITUTIONAL CASTORS AND WHEELS		PERMIS. VARIATIONS:		PART No:	
	This drawing is the property of RODA S.A. It must neither be reproduced in any manner nor shall it be submitted to third parties or competitors without our written consent		SURFACE FINISH :		UNF . DIM.:	
DESIGNED 8/11/2013 E.POLIMEROPOULOU		DRAWN 8/11/2013 E.POLIMEROPOULOU		PART NAME : WL-TPA075M.EC		
CHECKED 8/11/2013 H.SAATZOGLOU		QUANTITY		SCALE		SHEET No.
C3 B2 A1 A/A		REPLACE :		PART DESCRIPTION : Wheel 75x24mm,electric conductive non marking grey rubber (82shA),bore diameter 8mm , plain bearing		
				DRAWING NUMBER :		GEN. DWG. NUM. :