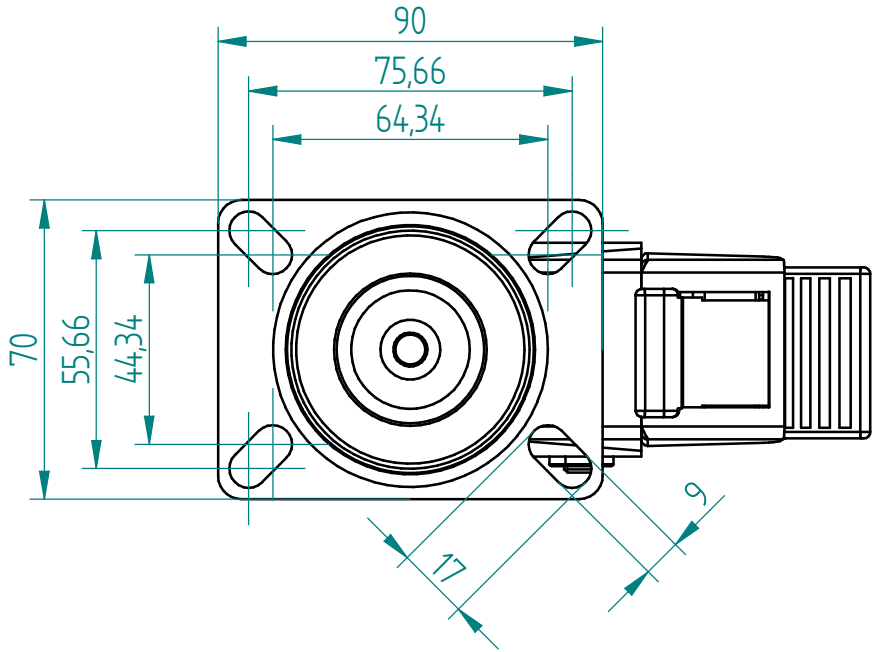
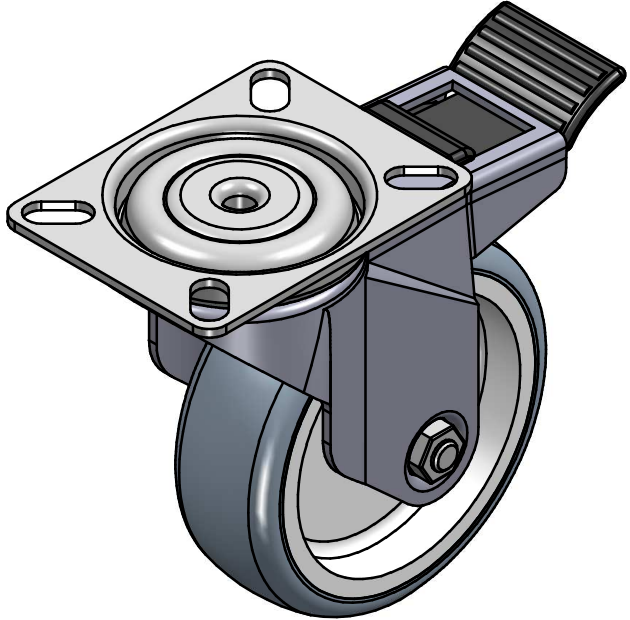
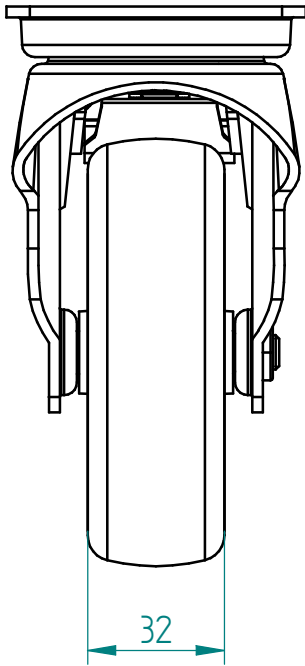
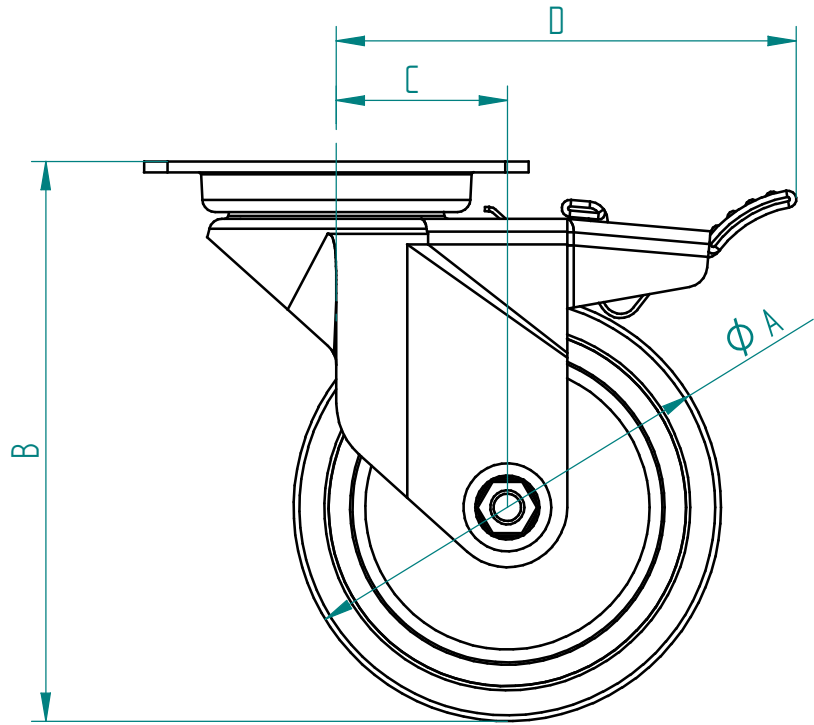



M Series			
A (mm)	B (mm)	C (mm)	D (mm)
75	109	28	95
100	131,5	40	107
125	156,5	40	107
150	181,5	45	112



	PRODUCTION OF INSTITUTIONAL CASTORS AND WHEELS	PERMIS. VARIATIONS:	PART No.:
		SURFACE FINISH:	UNF. DIM.:
THESSALONIKI - GREECE			MATERIAL:
This drawing is the property of RODA S.A. It must neither be reproduced in any manner nor shall it be submitted to third parties or competitors without our written consent		DESIGNED 22/7/2010 ALISANDRATOS S. DRAWN 22/7/2010 ALISANDRATOS S. CHECKED 22/7/2010	PART DESCRIPTION : S Series TSBK:Top Plate Brake
C3		QUANTITY SCALE REPLACE	DRAWING SHEET No. GEN. DWG. NUM. :
B2			
A1			
A/A			