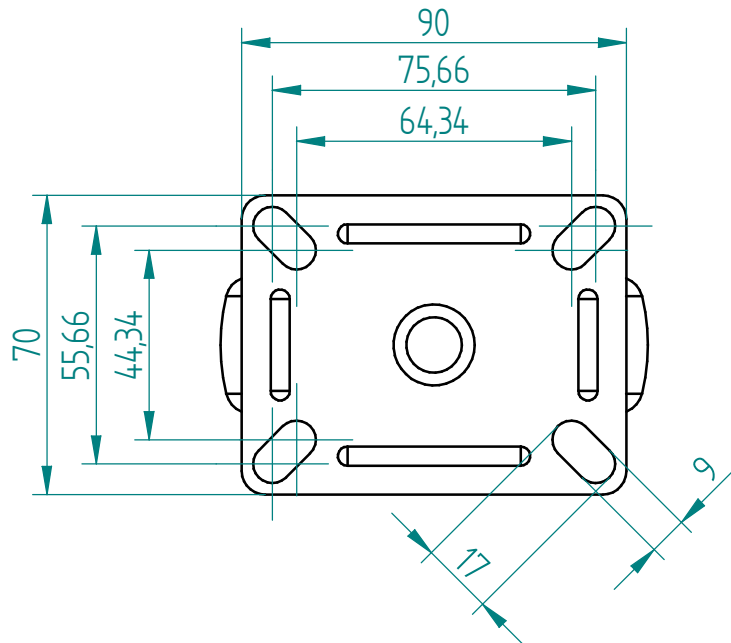
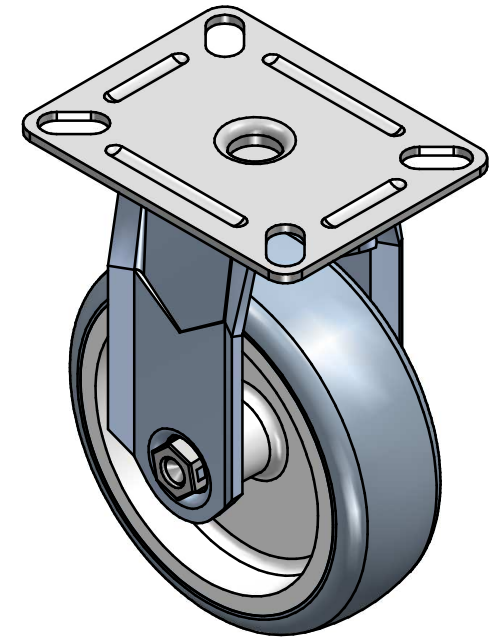
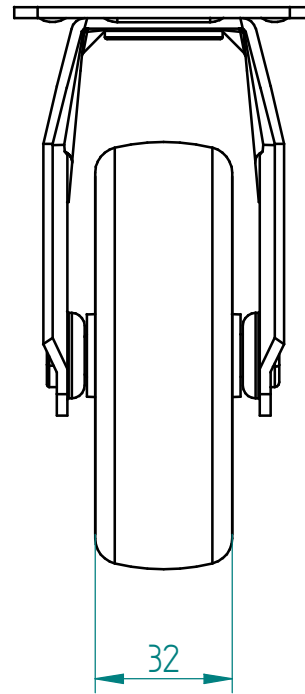
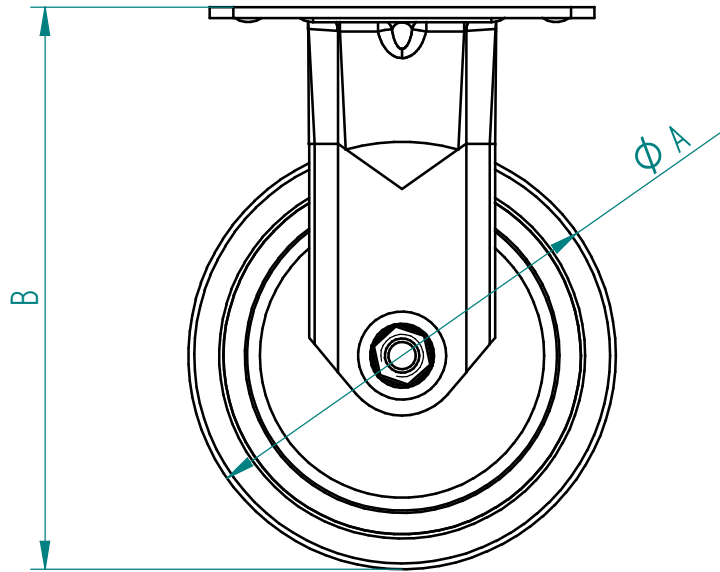



S Series	
A (mm)	B (mm)
75	109
100	131,5
125	156,5
150	181,5



 PRODUCTION OF INSTITUTIONAL CATRORS AND WHEELS	PERMIS. VARIATIONS:	PART No:	
		UNF. DIM.:	
THESSALONIKI - GREECE	SURFACE FINISH:	MATERIAL:	
This drawing is the property of RODA S.A. It must neither be reproduced in any manner nor shall it be submitted to third parties or competitors without our written consent	DESIGNED 27/10/2010 ALISANDRATOS S.	PART DESCRIPTION : S Series TF:Top Plate	
	DRAWN 27/10/2010 ALISANDRATOS S.		
	CHECKED 27/10/2010		
C3	QUANTITY	DRAWING	SHEET No.
B2	SCALE		
A1	REPLACE	GEN. DWG. NUM. :	
A/A			