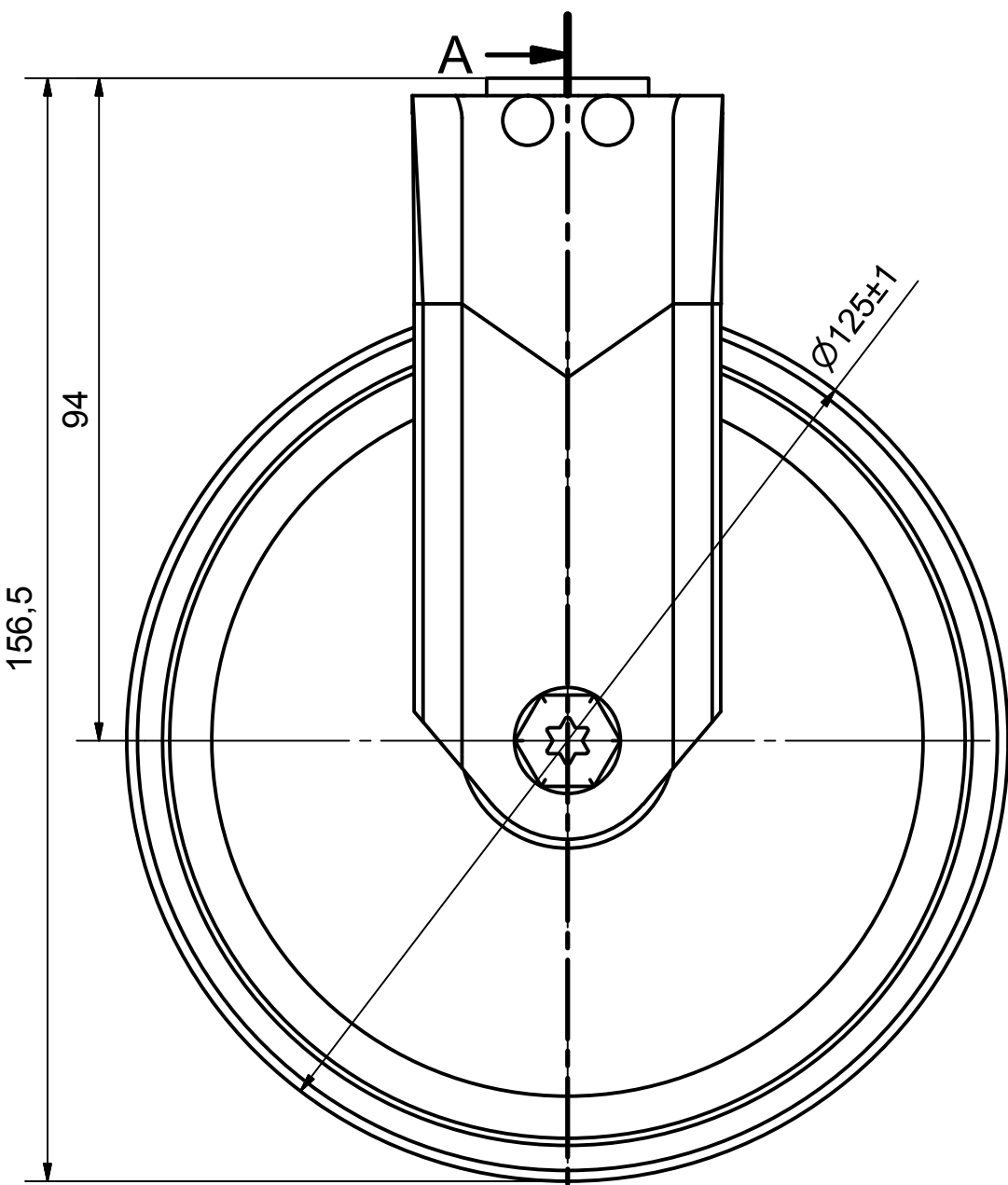
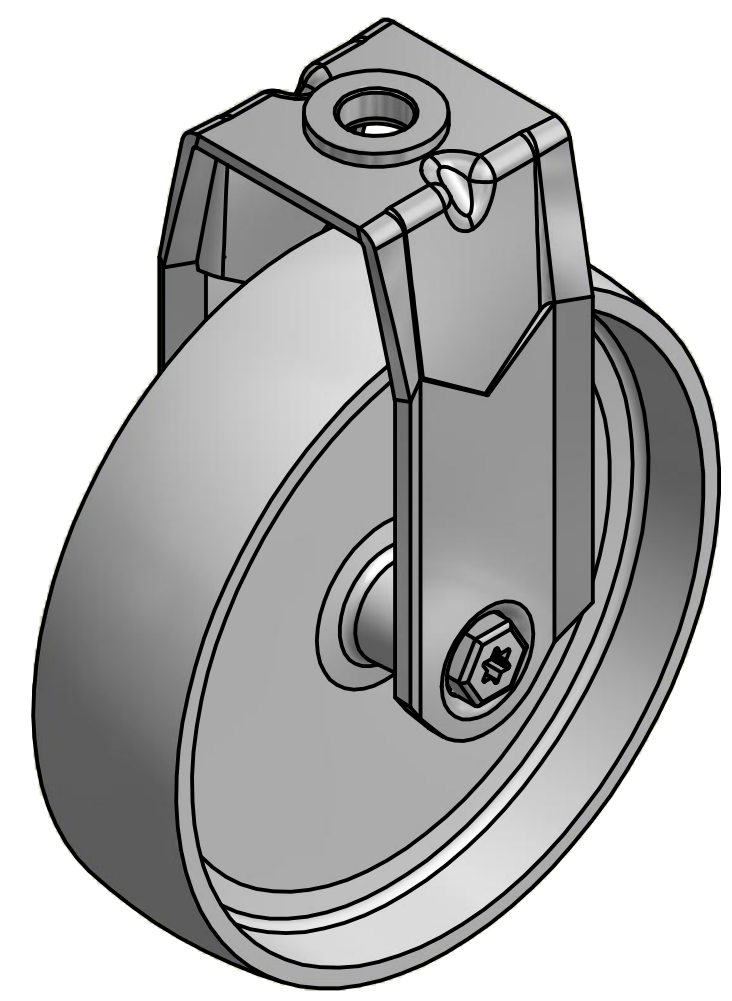
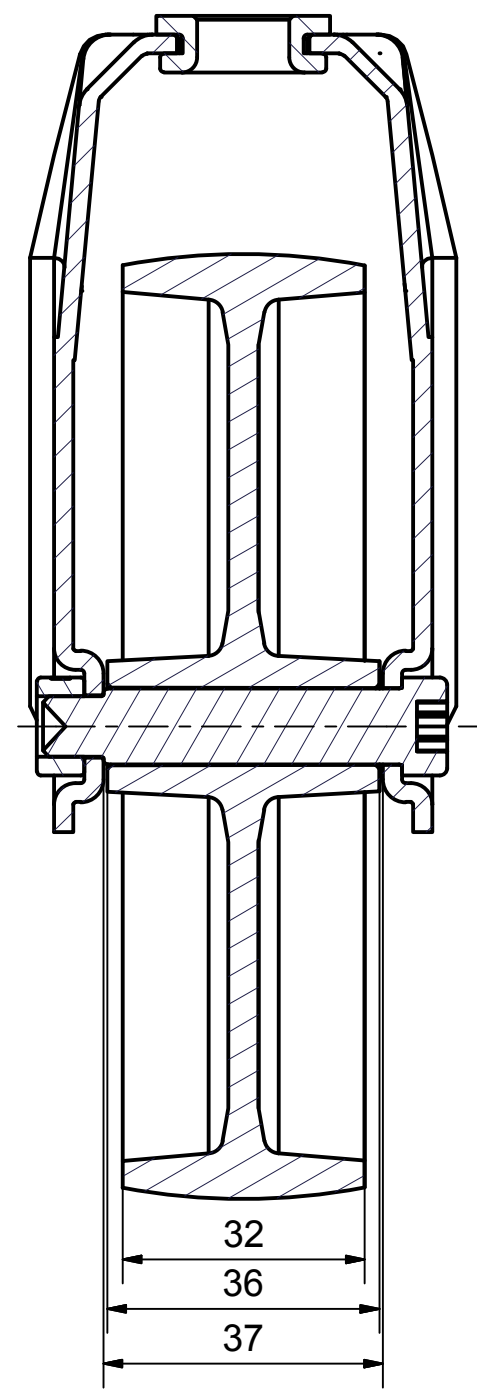


6 5 4 3 2 1

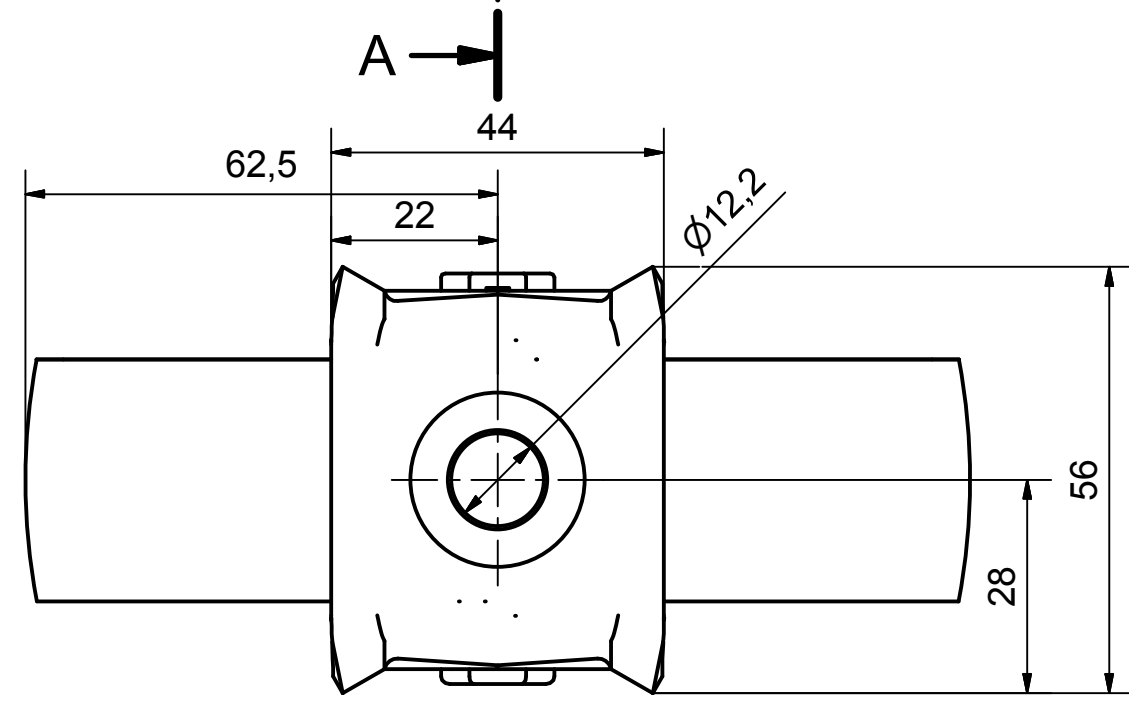
D  
C  
B  
A




SECTION A-A'



Load Capacity: 100kg, for speed up to 4km/h  
(According to EN 12530)



 PRODUCTION OF INSTITUTIONAL CASTORS AND WHEELS THESSALONIKI - GREECE	PERMIS. VARIATIONS:		PART No:	
	SURFACE FINISH:		UNF . DIM.:	
This drawing is the property of RODA S.A. It must neither be reproduced in any manner nor shall it be submitted to third parties or competitors without our written consent			PART NAME : <b>SX.125.NA.HF</b>	
DESIGNED	29/7/2013	E.POLIMEROPOULOU	PART DESCRIPTION : <b>Fixed castor, stainless support, bolt hole fitting (12,2mm).Wheel 125x32mm,white polyamide plain bearing</b>	
DRAWN	29/7/2013	E.POLIMEROPOULOU	DRAWING NUMBER :	
CHECKED	29/7/2013	H.SAATSOGLOU	SHEET No.	
C3			QUANTITY	SCALE
B2			REPLACE :	GEN. DWG. NUM. :
A1				
A/A				

6 5 4 3 2 1