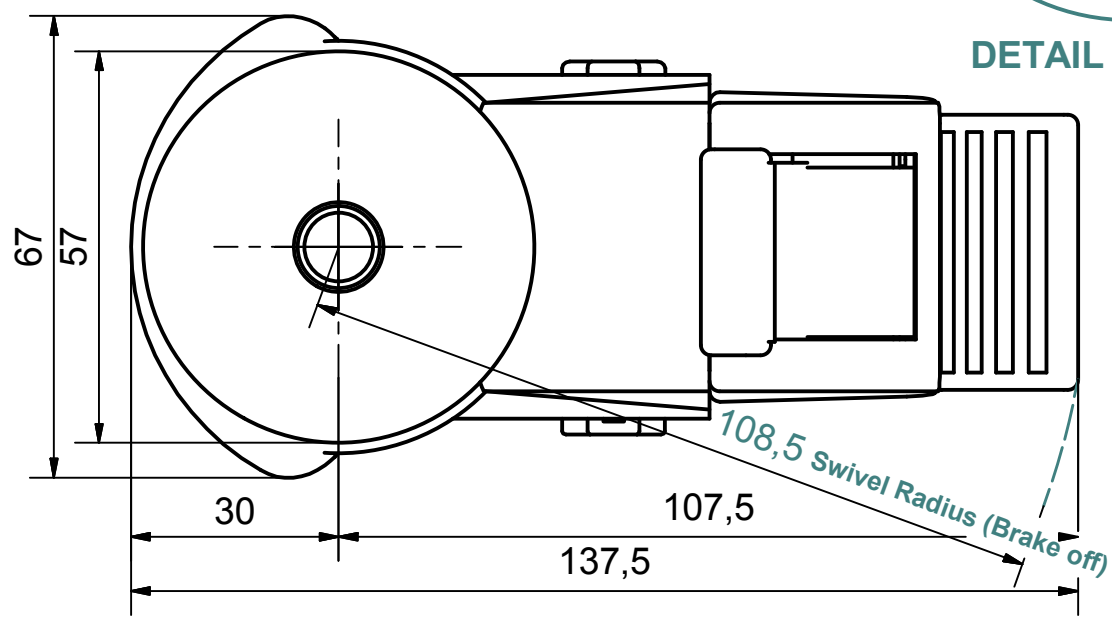



**Load Capacity: 90kg, for speed up to 4km/h
(According to EN 12530)**



	PRODUCTION OF INSTITUTIONAL CASTORS AND WHEELS		PERMIS. VARIATIONS:	PART No:
	THESSALONIKI - GREECE		SURFACE FINISH :	UNF . DIM.:
This drawing is the property of RODA S.A. It must neither be reproduced in any manner nor shall it be submitted to third parties or competitors without our written consent			DESIGNED 24/7/2013 E.POLIMEROPOULOU	PART NAME : SX.100.CPA.BSBK
			DRAWN 24/7/2013 E.POLIMEROPOULOU	PART DESCRIPTION : Swivel+brake castor, stainless support, bolt stem M12X25mm.Wheel 100x32mm,electric conductive non marking grey rubber (82shA) p
			CHECKED 24/7/2013 H.SAATSOGLOU	
C3			QUANTITY	SCALE
B2			REPLACE :	DRAWING NUMBER :
A1				SHEET No.
A/A				GEN. DWG. NUM. :