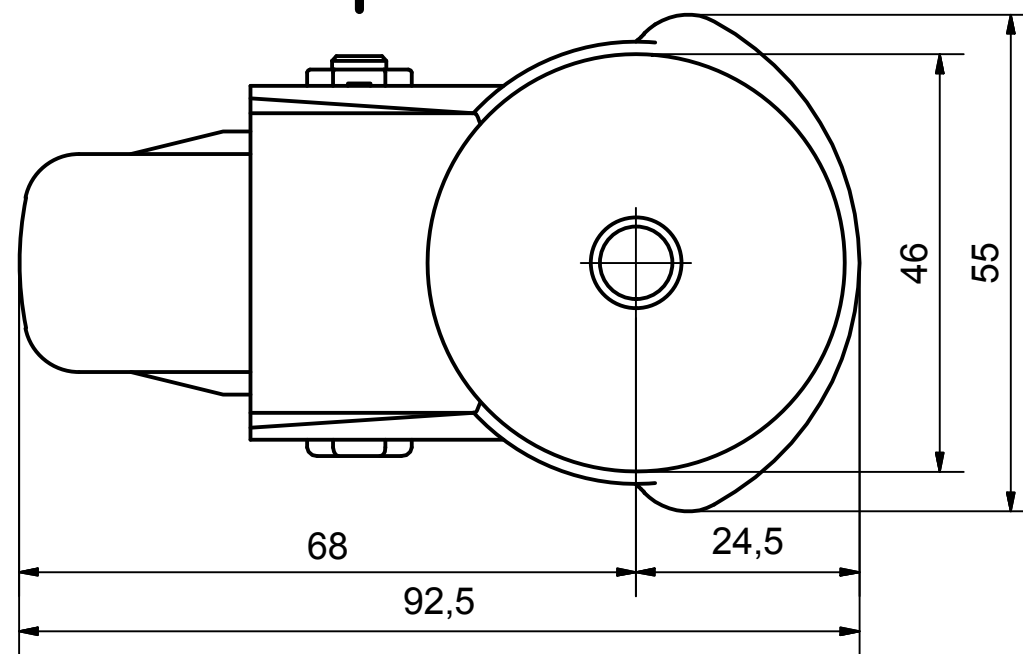



Load Capacity: 60kg, for speed up to 4km/h
(According to EN 12530)



 PRODUCTION OF INSTITUTIONAL CASTORS AND WHEELS THESSALONIKI - GREECE	PERMIS. VARIATIONS:		PART No:
	SURFACE FINISH :		UNF . DIM.:
This drawing is the property of RODA S.A. It must neither be reproduced in any manner nor shall it be submitted to third parties or competitors without our written consent	DESIGNED	4/7/2013	E.POLIMEROPOULOU
	DRAWN	4/7/2013	E.POLIMEROPOULOU
	CHECKED	4/7/2013	H.SAATZOGLU
PART NAME :			MX.075.TPC.BSGX
PART DESCRIPTION :			Swivel castor, stainless support, bolt stem M10X20mm.Wheel 75x24mm,non marking grey rubber (82shA) double ball bearings,stainle
DRAWING NUMBER :			SHEET No.
QUANTITY		SCALE	
REPLACE :		GEN. DWG. NUM. :	