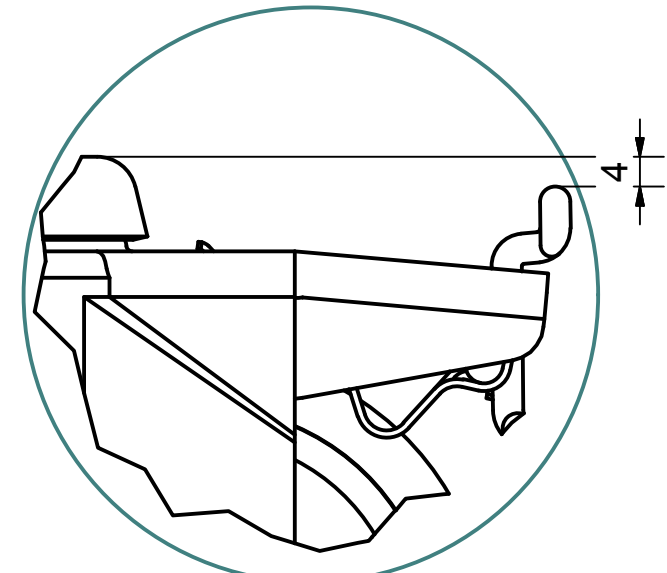
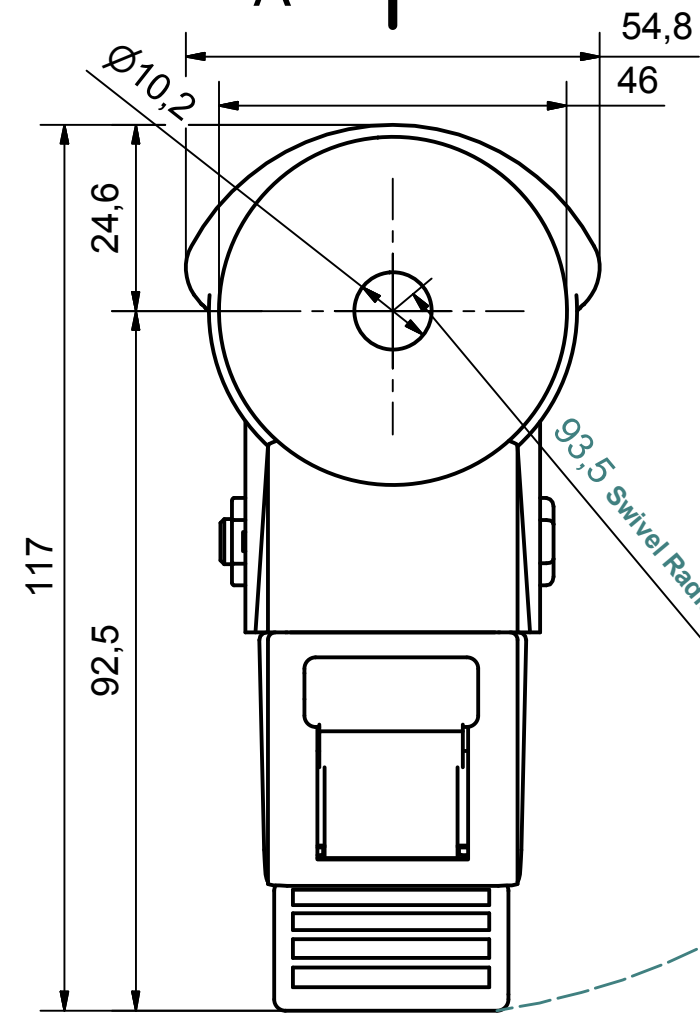
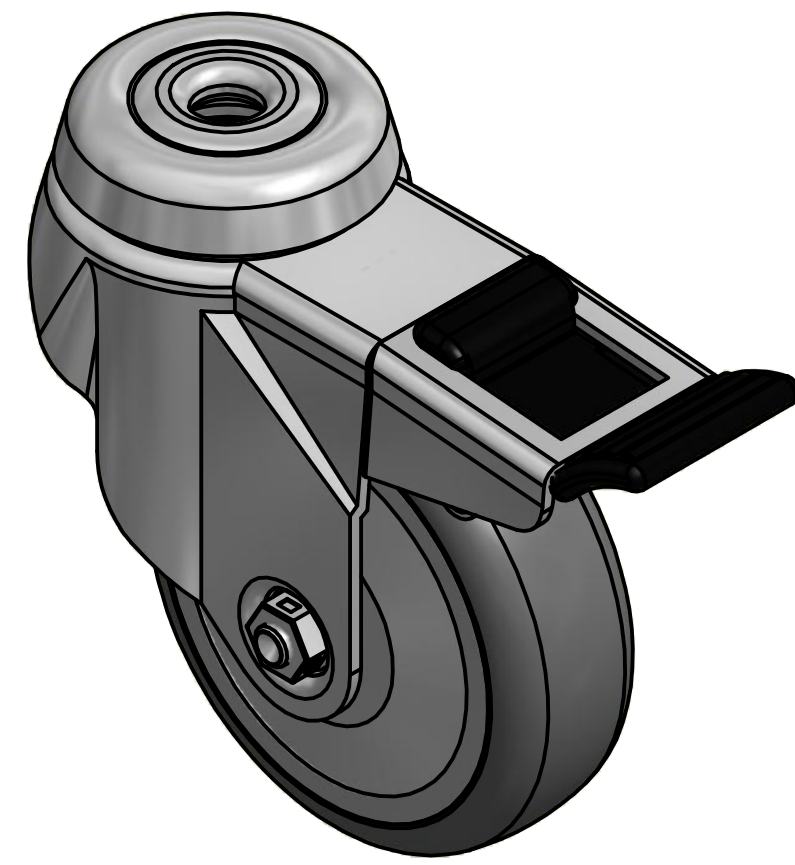
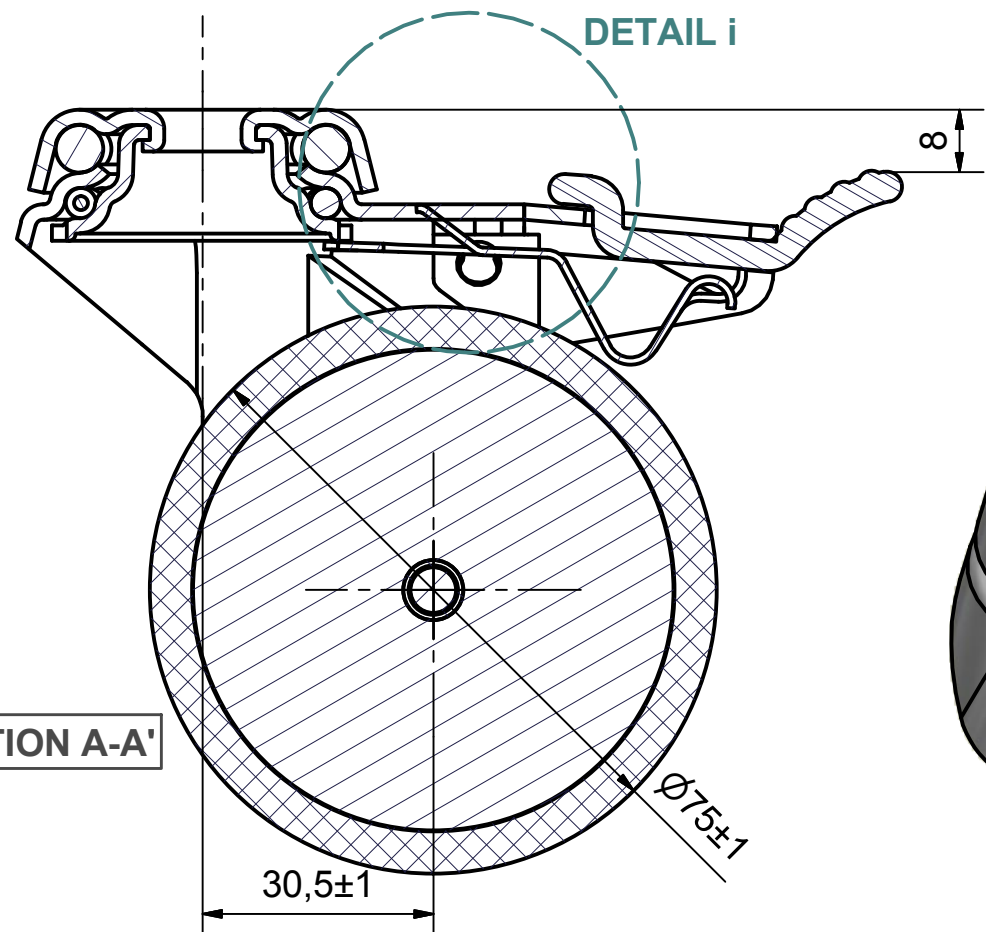
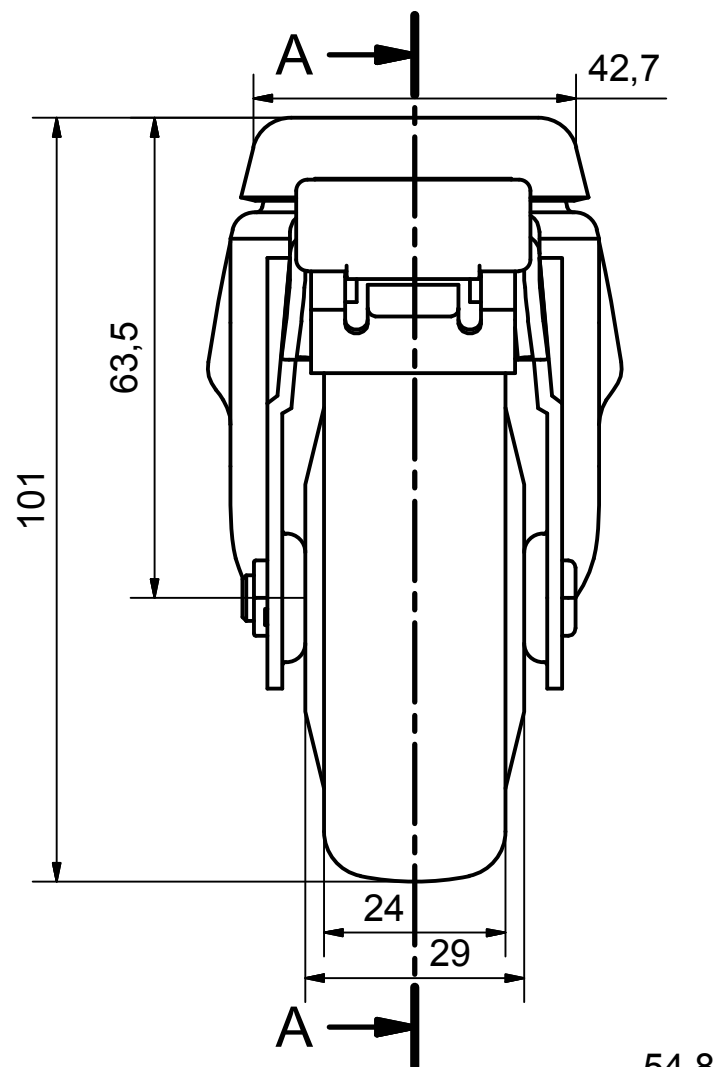



6 5 4 3 2 1

D
C
B
A



Load Capacity: 60kg, for speed up to 4km/h
(According to EN 12530)

 PRODUCTION OF INSTITUTIONAL CASTORS AND WHEELS THESSALONIKI - GREECE	PERMIS. VARIATIONS:		PART No:	
	SURFACE FINISH:		UNF . DIM.:	
This drawing is the property of RODA S.A. It must neither be reproduced in any manner nor shall it be submitted to third parties or competitors without our written consent			PART NAME : MX.075.TPA.HSBKGX	
DESIGNED	4/7/2013	E.POLIMEROPOULOU	PART DESCRIPTION : Swivel+brake castor, stainless support, bolt hole fitting (10,2mm).Wheel 75x24mm,non marking grey rubber (82shA) plain bearing.	
DRAWN	4/7/2013	E.POLIMEROPOULOU		
CHECKED	4/7/2013	H.SAATZOGLOU		
C3			QUANTITY	SCALE
B2			REPLACE :	
A1				
A/A				
			DRAWING NUMBER :	
			SHEET No.	
			GEN. DWG. NUM. :	

6 5 4 3 2 1