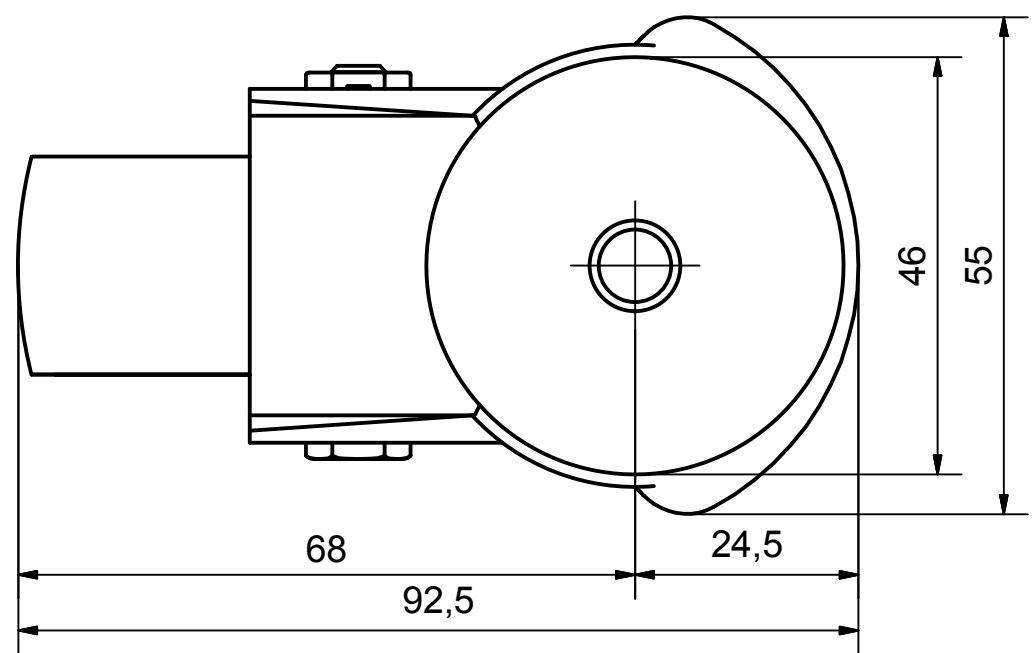



Load Capacity: 60kg, for speed up to 4km/h  
(According to EN 12530)



|   |                     |          |                  |  |
|---|---------------------|----------|------------------|--|
| <br>PRODUCTION OF INSTITUTIONAL CASTORS AND WHEELS<br>THESSALONIKI - GREECE            | PERMIS. VARIATIONS: |          | PART No:         |  |
|   | SURFACE FINISH:     |          | UNF . DIM.:      |  |
| This drawing is the property of RODA S.A. It must neither be reproduced in any manner nor shall it be submitted to third parties or competitors without our written consent | DESIGNED            | 4/7/2013 | E.POLIMEROPOULOU | PART NAME : <b>MX.075.NA.BS</b><br><br>PART DESCRIPTION :<br><b>Swivel castor, stainless support, bolt stem M10X20mm.Wheel 75x24mm,white polyamide plain bearing</b> |
|   | DRAWN               | 4/7/2013 | E.POLIMEROPOULOU |  |
|   | CHECKED             | 4/7/2013 | H.SAATZOGLU      |  |
| C3  |                     |          |                  | DRAWING NUMBER :   |
| B2  |                     |          |                  |  |
| A1  |                     |          |                  | QUANTITY      SCALE<br>REPLACE :   |
| A/A   |                     |          |                  |  |