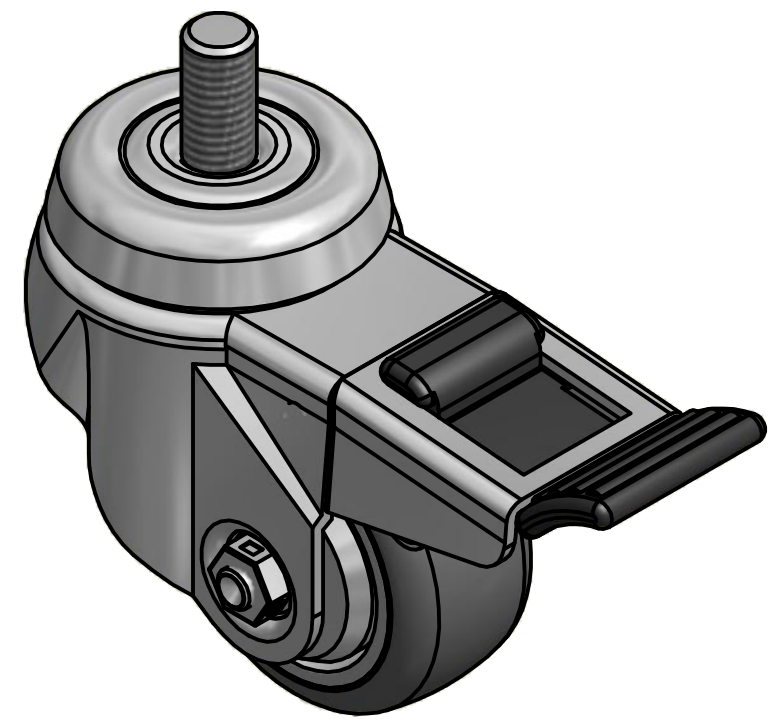
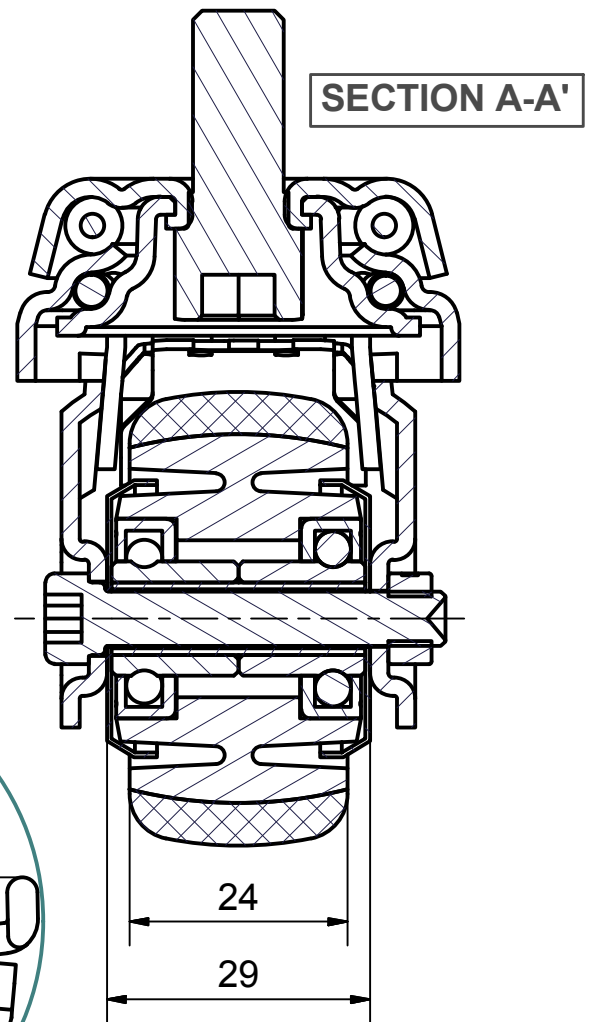
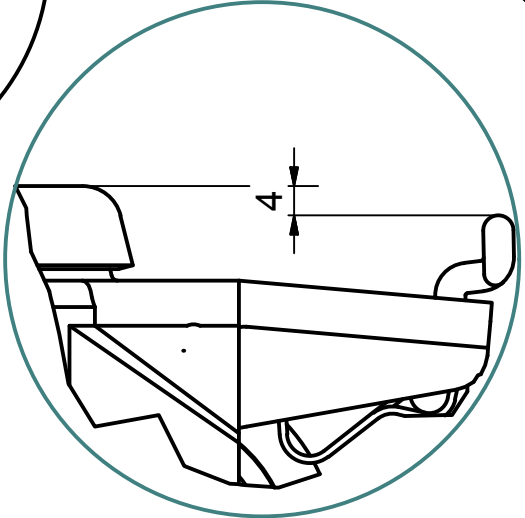


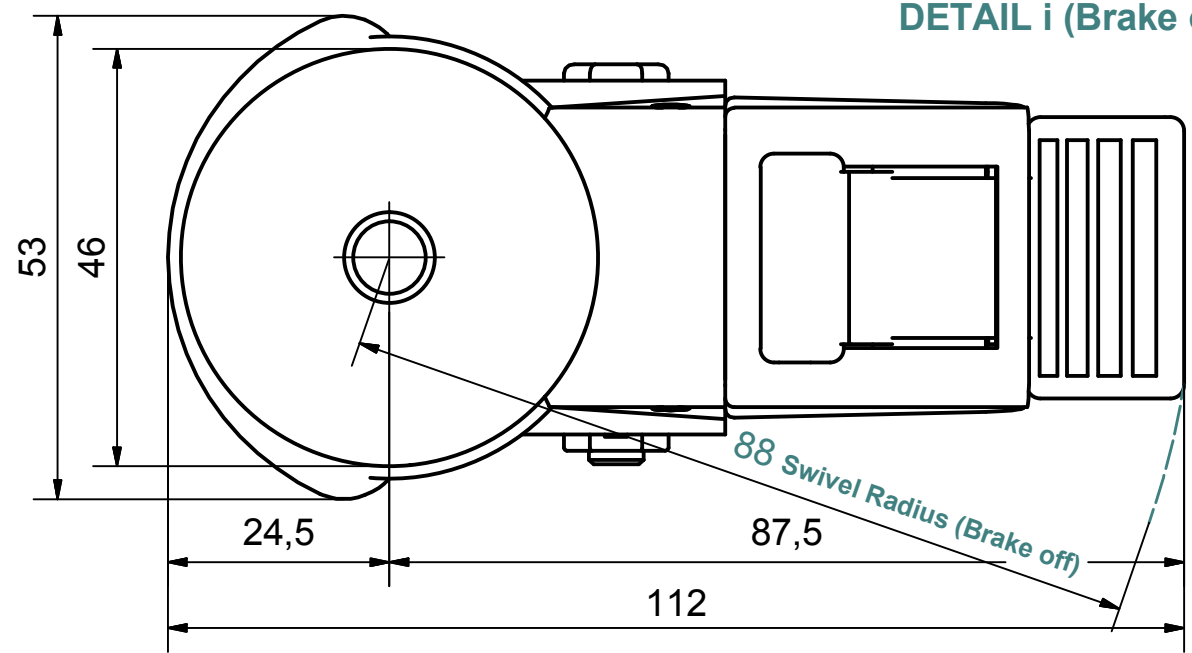
DETAIL i




Load Capacity: 50kg, for speed up to 4km/h
(According to EN 12530)



DETAIL i (Brake on)



 PRODUCTION OF INSTITUTIONAL CASTORS AND WHEELS THESSALONIKI - GREECE	PERMIS. VARIATIONS:		PART No:
	SURFACE FINISH:		UNF . DIM.:
This drawing is the property of RODA S.A. It must neither be reproduced in any manner nor shall it be submitted to third parties or competitors without our written consent	DESIGNED	28/6/2013	E.POLIMEROPOULOU
	DRAWN	28/6/2013	E.POLIMEROPOULOU
	CHECKED	28/6/2013	H.SAATZOGLU
PART DESCRIPTION : Swivel+brake castor, stainless support, bolt stem M10X20mm.Wheel 50x24mm,non marking grey rubber (82shA) double ball bearings,s			PART NAME : MX.050.TPC.BSBKGX
DRAWING NUMBER :			SHEET No.
QUANTITY SCALE			GEN. DWG. NUM. :
REPLACE :			