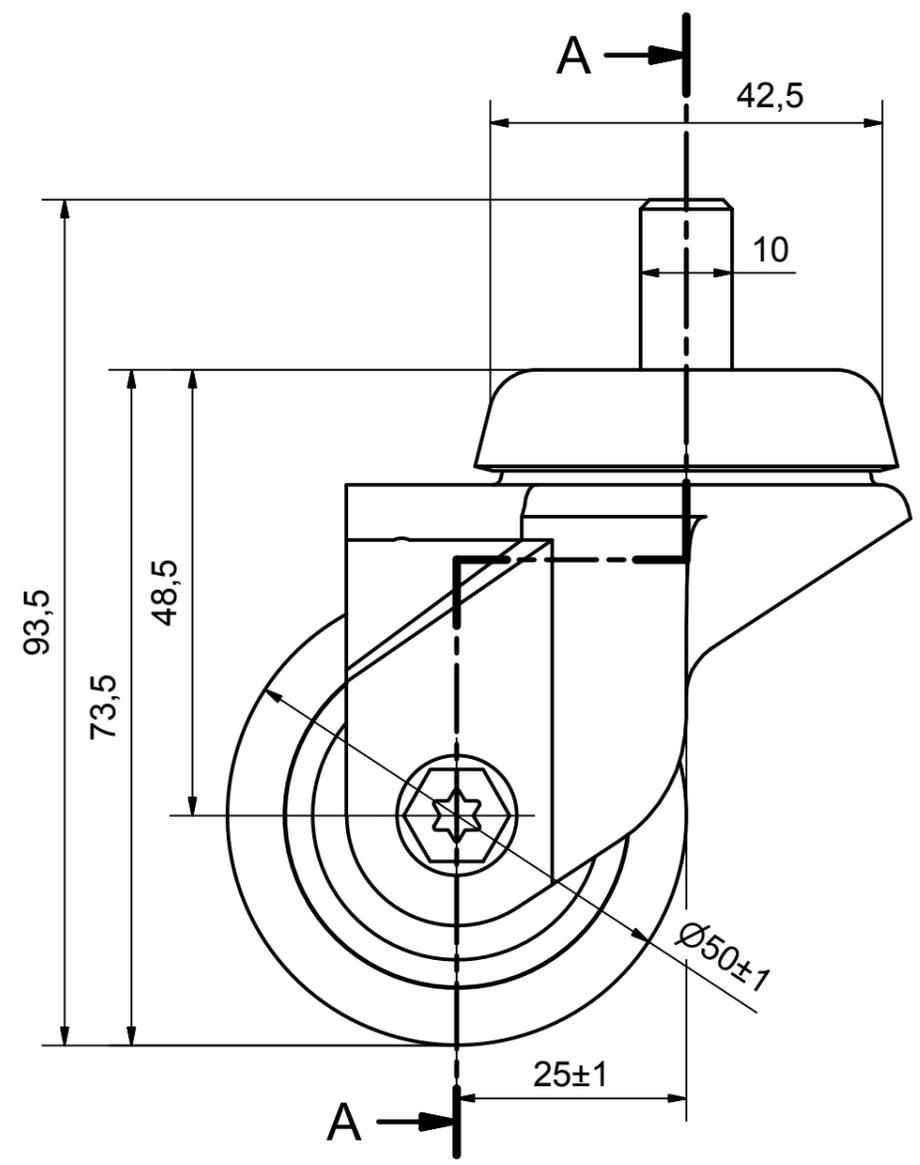
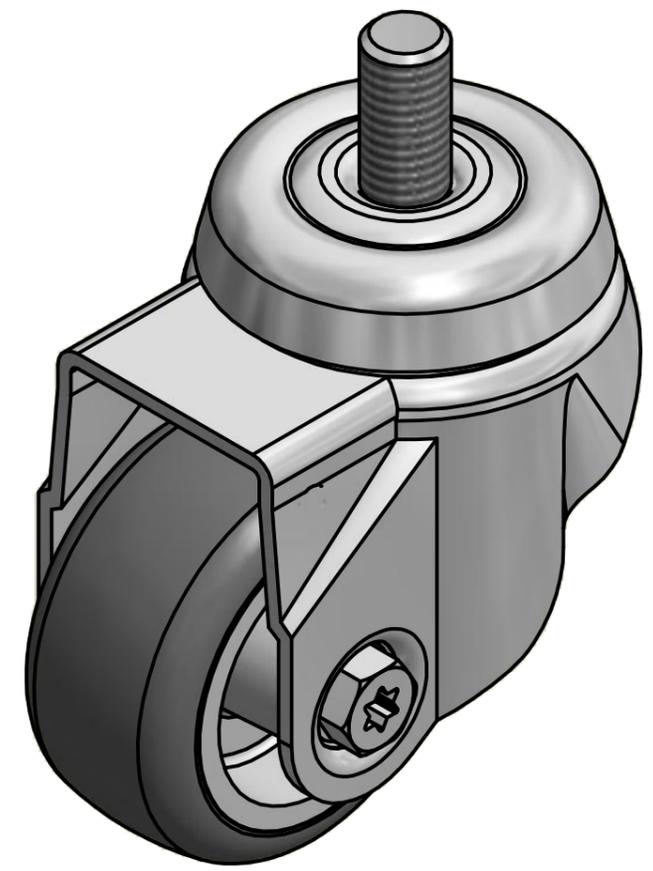
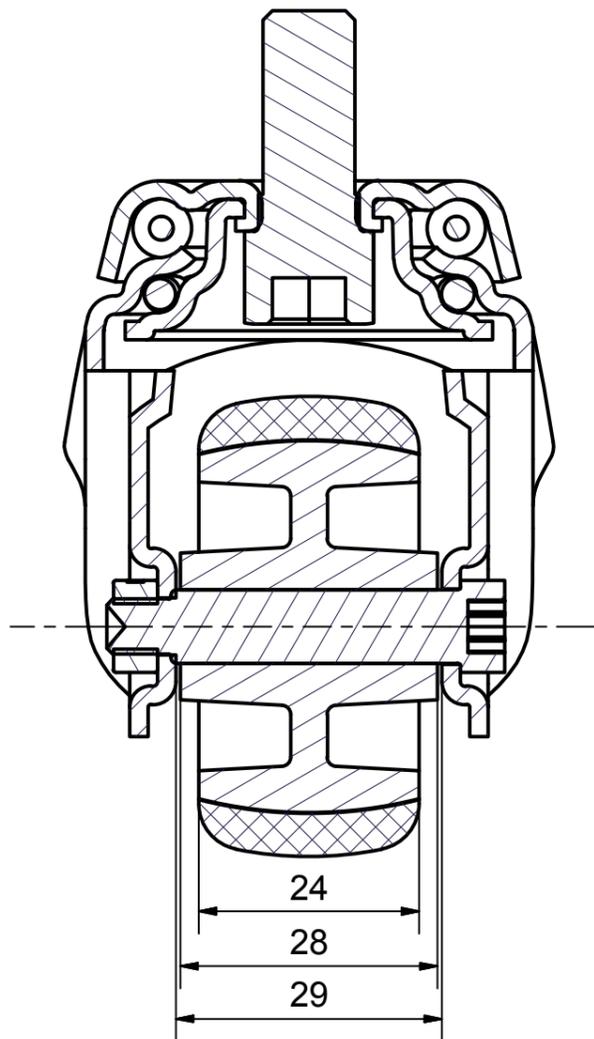


6 5 4 3 2 1

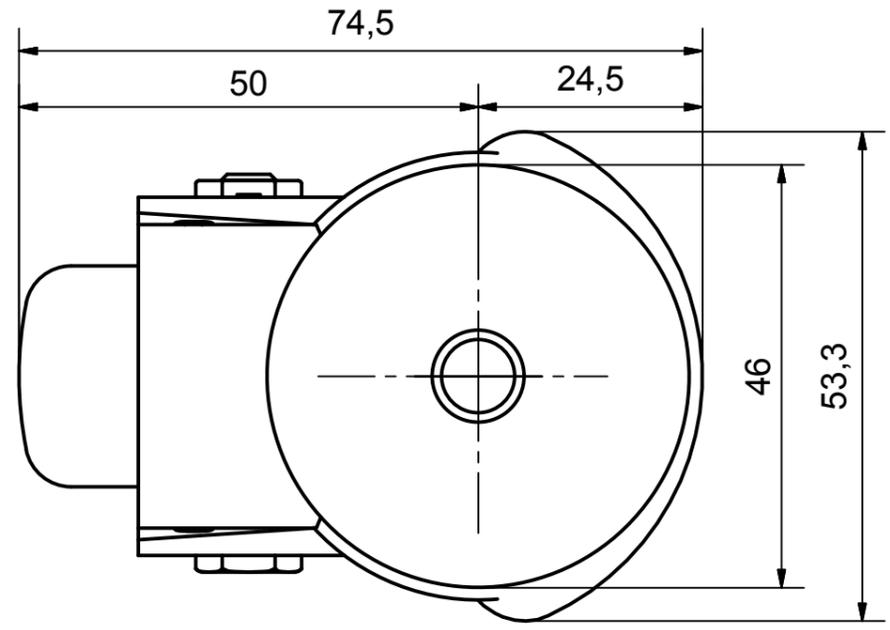
D
C
B
A



SECTION A-A'



Load Capacity: 50kg, for speed up to 4km/h
(According to EN 12530)



6 5 4 3 2 1

D
C
B
A

 PRODUCTION OF INSTITUTIONAL CASTORS AND WHEELS THESSALONIKI - GREECE This drawing is the property of RODA S.A. It must neither be reproduced in any manner nor shall it be submitted to third parties or competitors without our written consent	PERMIS. VARIATIONS:		PART No:	
	SURFACE FINISH:		UNF . DIM.:	
DESIGNED 28/6/2013 E.POLIMEROPOULOU DRAWN 28/6/2013 E.POLIMEROPOULOU CHECKED 28/6/2013 H.SAATZOGLOU			PART NAME : MX.050.TPA.BS	
C3 B2 A1 A/A			PART DESCRIPTION : Swivel castor, stainless support, bolt stem M10X20mm.Wheel 50x24mm,non marking grey rubber (82shA) plain bearing	
QUANTITY REPLACE :		SCALE		DRAWING NUMBER :
		GEN. DWG. NUM. :		SHEET No.