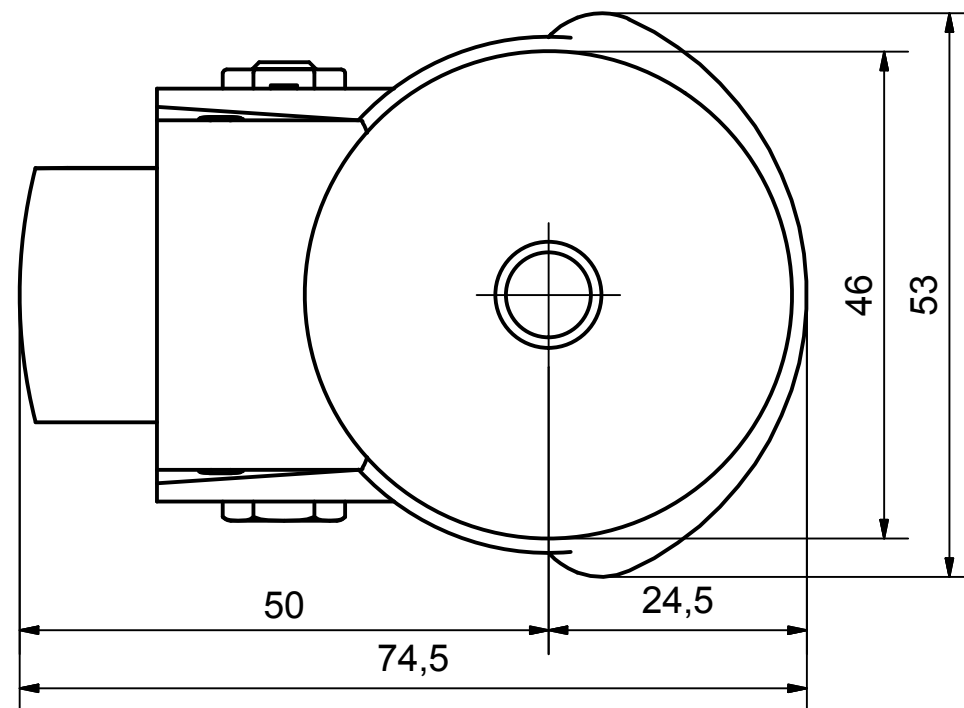



Load Capacity: 50kg, for speed up to 4km/h
(According to EN 12530)



 PRODUCTION OF INSTITUTIONAL CASTORS AND WHEELS THESSALONIKI - GREECE This drawing is the property of RODA S.A. It must neither be reproduced in any manner nor shall it be submitted to third parties or competitors without our written consent	PERMIS. VARIATIONS:		PART No:
	SURFACE FINISH:		UNF . DIM.:
			PART NAME : MX.050.PA.BS
	DESIGNED 28/6/2013 E.POLIMEROPOULOU		PART DESCRIPTION : Swivel castor, stainless support, bolt stem M10X20mm.Wheel 50x24mm,black polypropylene plain bearing
	DRAWN 28/6/2013 E.POLIMEROPOULOU		
	CHECKED 28/6/2013 H.SAATZOGLOU		
C3		QUANTITY	SCALE
B2		REPLACE :	DRAWING NUMBER :
A1			SHEET No.
A/A			GEN. DWG. NUM. :