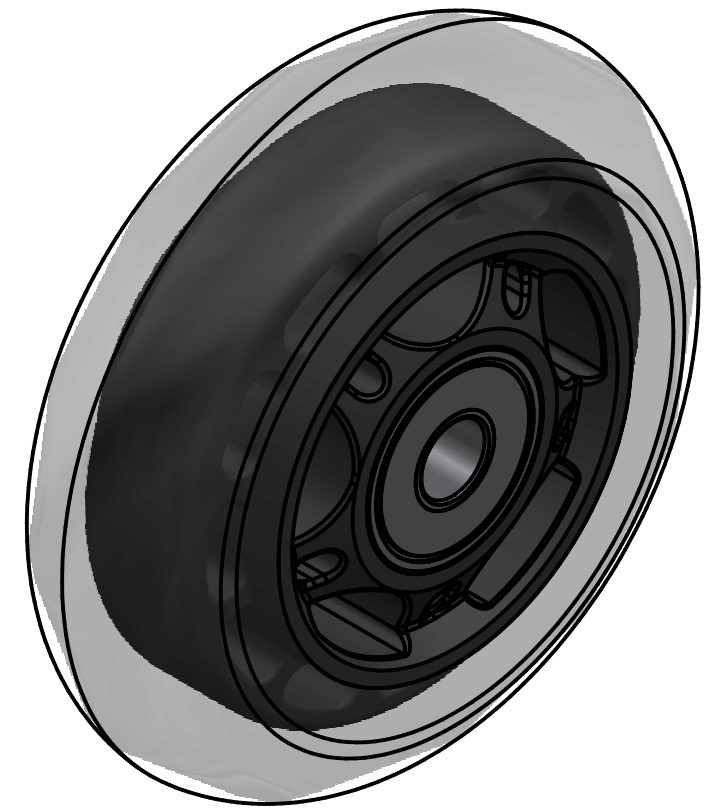



SECTION A-A



Loading Capacity : 35Kg for speed up to 4Km/h
(according to EN12530:1998)

 PRODUCTION OF INSTITUTIONAL CATRORS AND WHEELS THESSALONIKI - GREECE	PERMIS. VARIATIONS:		PART No:
	SURFACE FINISH:		UNF. DIM.:
This drawing is the property of RODA S.A. It must neither be reproduced in any manner nor shall it be submitted to third parties or competitors without our written consent	DESIGNED	12/7/2021	ALISANDRATOS S.
	DRAWN	12/7/2021	ALISANDRATOS S.
	CHECKED	12/7/2021	SAATSOGLU H.
			MATERIAL : Rim : PP6 Tread : Pu-Silicone
			PART DESCRIPTION : MI75PUS8T
C3			DRAWING
B2			
A1			SHEET No.
A/A			
		QUANTITY	SCALE
		REPLACE	GEN. DWG. NUM. :