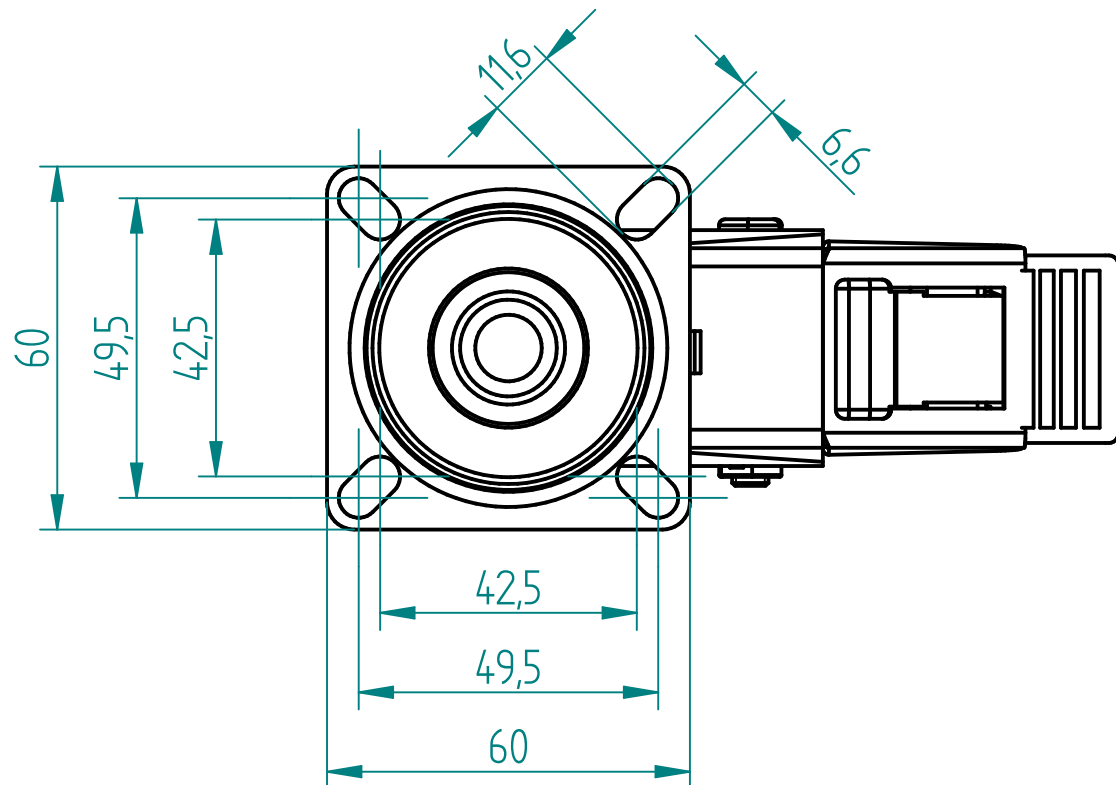
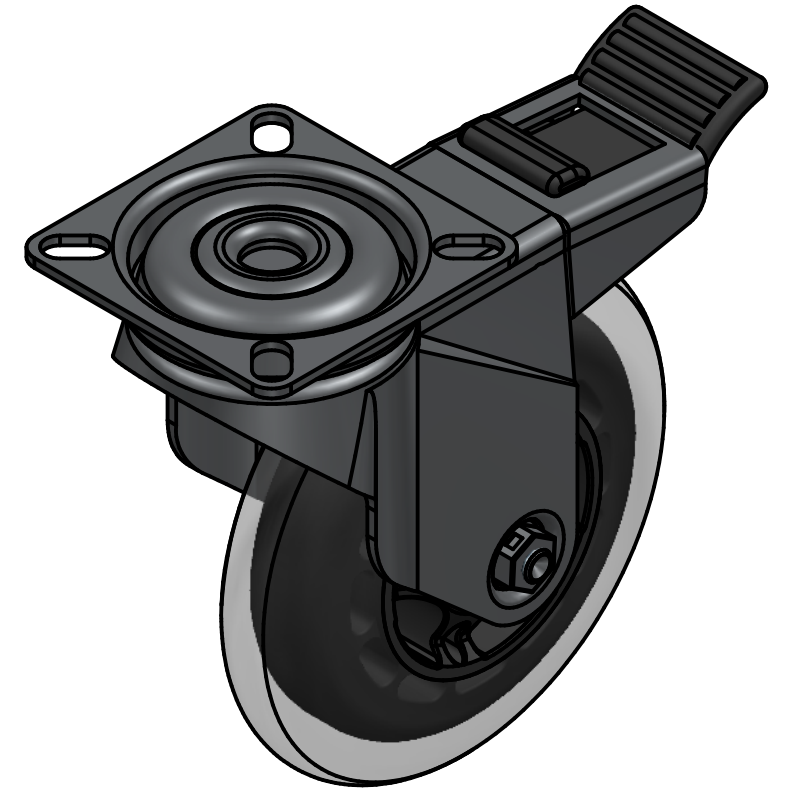



SECTION A-A



	PRODUCTION OF INSTITUTIONAL CASTORS AND WHEELS THESSALONIKI - GREECE		PERMIS. VARIATIONS:	PART No.:
	This drawing is the property of RODA S.A. It must neither be reproduced in any manner nor shall it be submitted to third parties or competitors without our written consent		SURFACE FINISH:	UNF. DIM.:
DESIGNED 13/7/2021 ALISANDRATOS S. DRAWN 13/7/2021 ALISANDRATOS S. CHECKED 13/7/2021 SAATSOGLOU H.		MATERIAL : Swivel castor with brake, steel support, top plate fitting. Wheel 98x23mm, non marking PU (85ShA), ball bearing.		PART DESCRIPTION : M100PUSTSBK
C3 B2 A1 A/A	QUANTITY REPLACE	SCALE	DRAWING	SHEET No.
			GEN. DWG. NUM. :	