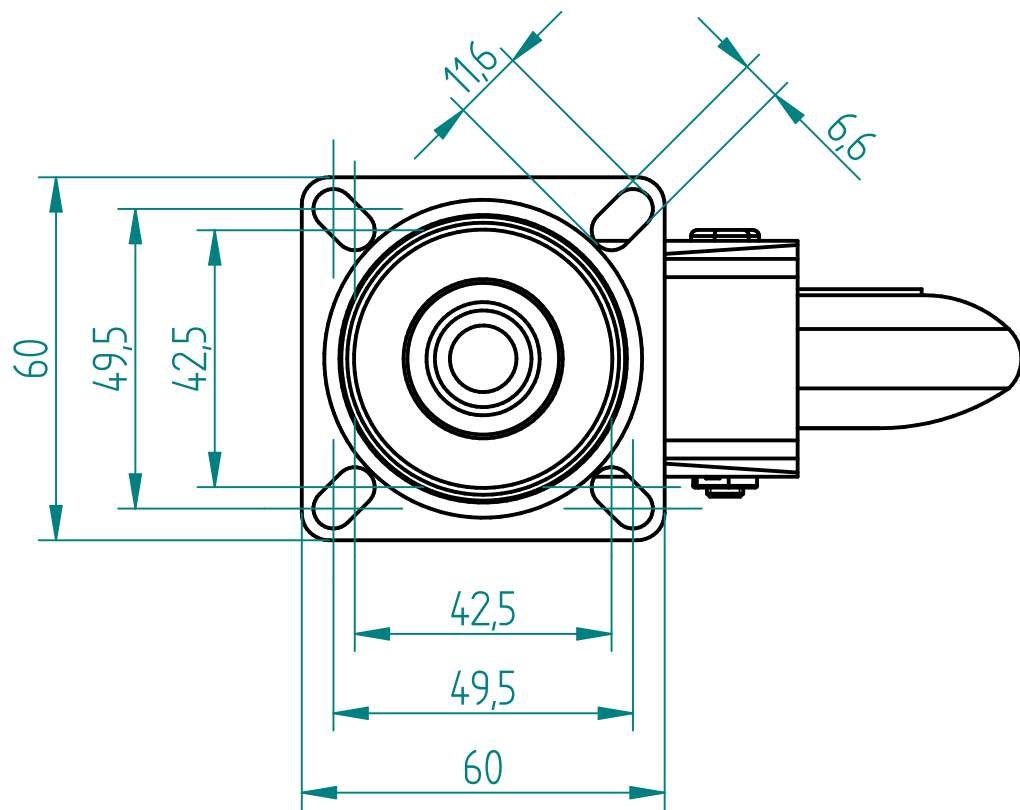
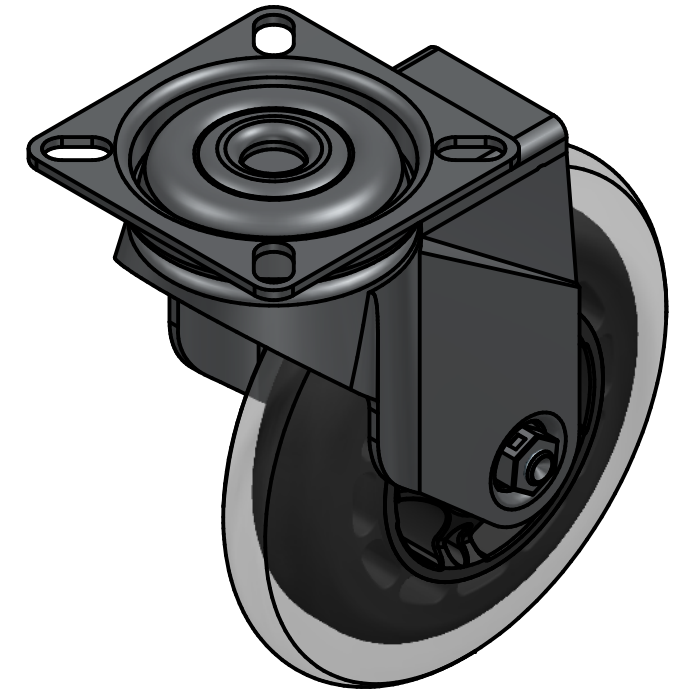



SECTION A-A



Load Capacity : 50Kg, for speed up to 4Km/h
(according to EN12530:1998)

	PRODUCTION OF INSTITUTIONAL CASTORS AND WHEELS	PERMIS. VARIATIONS:	PART No:	
		SURFACE FINISH:	UNF. DIM.:	
THESSALONIKI - GREECE			MATERIAL :	
This drawing is the property of RODA S.A. It must neither be reproduced in any manner nor shall it be submitted to third parties or competitors without our written consent		DESIGNED 13/7/2021 ALISANDRATOS S.	Swivel castor, steel support, top plate fitting. Wheel 98x23mm, non marking PU (85ShA), ball bearing.	
		DRAWN 13/7/2021 ALISANDRATOS S.		
		CHECKED 13/7/2021 SAATSOGLU H.		
			PART DESCRIPTION :	
			M100PUSTS	
C3			DRAWING	SHEET No.
B2				
A1			QUANTITY	SCALE
A/A			REPLACE	GEN. DWG. NUM. :