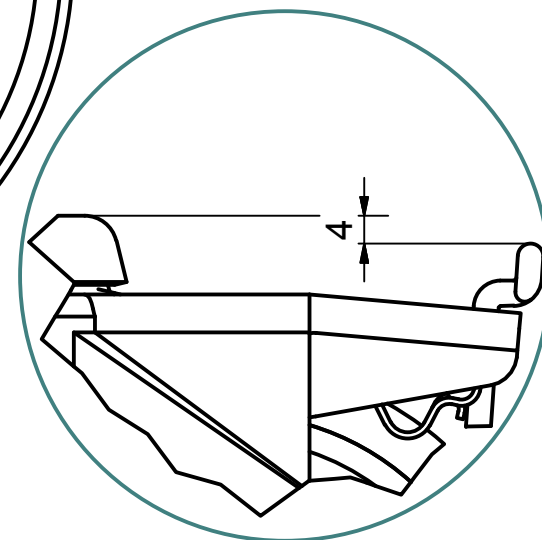
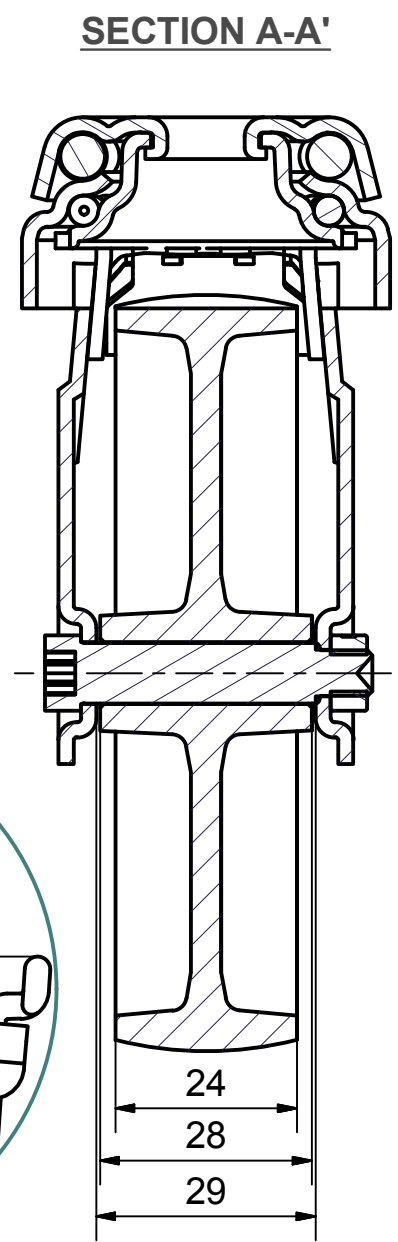
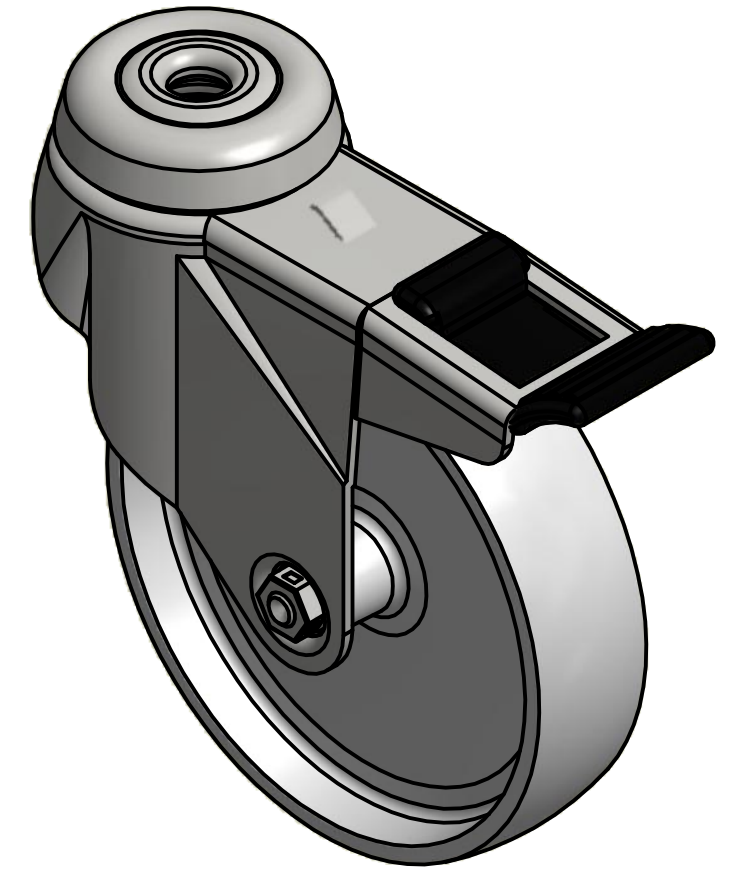


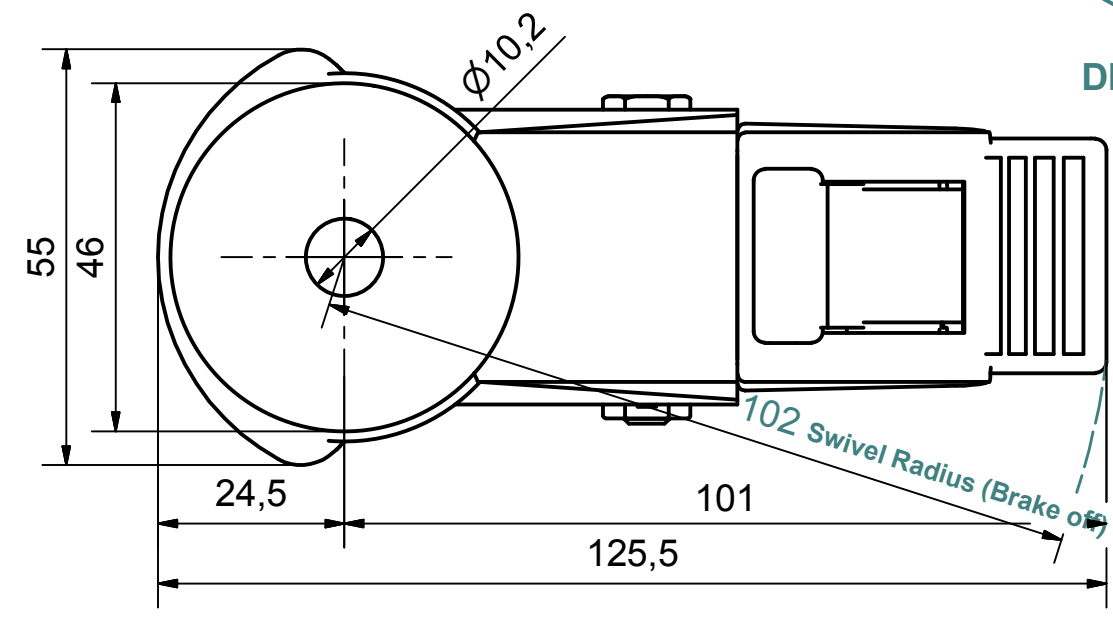
DETAIL i




DETAIL i (Brake on)



Load Capacity: 70kg, for speed up to 4km/h
(According to EN 12530)



102 Swivel Radius (Brake off)

	PRODUCTION OF INSTITUTIONAL CASTORS AND WHEELS THESSALONIKI - GREECE		PERMIS. VARIATIONS:	PART No:
	This drawing is the property of RODA S.A. It must neither be reproduced in any manner nor shall it be submitted to third parties or competitors without our written consent		SURFACE FINISH:	UNF . DIM.:
DESIGNED 10/7/2013 E.POLIMEROPOULOU DRAWN 10/7/2013 E.POLIMEROPOULOU CHECKED 10/7/2013 H.SAATSOGLOU		QUANTITY REPLACE:	SCALE	PART NAME : M.100.NA.HSBK
C3 B2 A1 A/A		DRAWING NUMBER :	SHEET No.	PART DESCRIPTION : Swivel+brake castor, steel support, bolt hole fitting (10,2mm).Wheel 100x24mm,white polyamide plain bearing
		GEN. DWG. NUM. :		