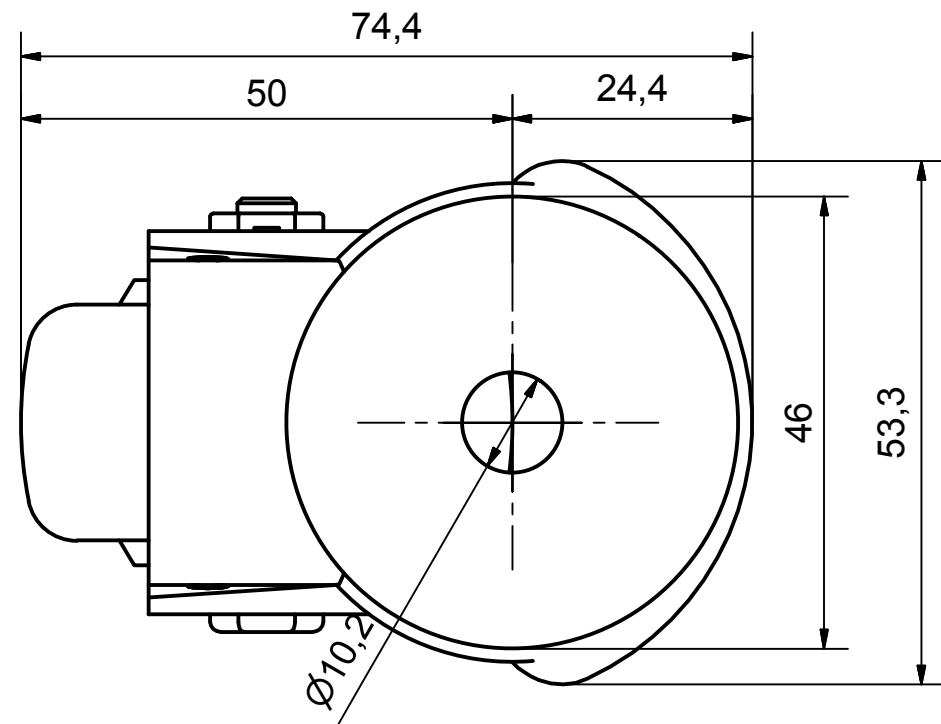
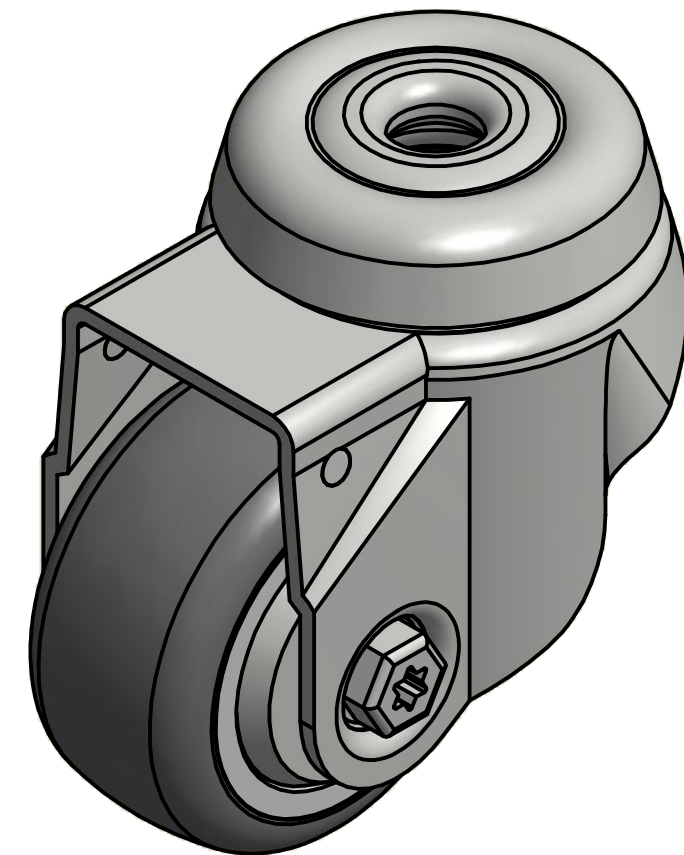
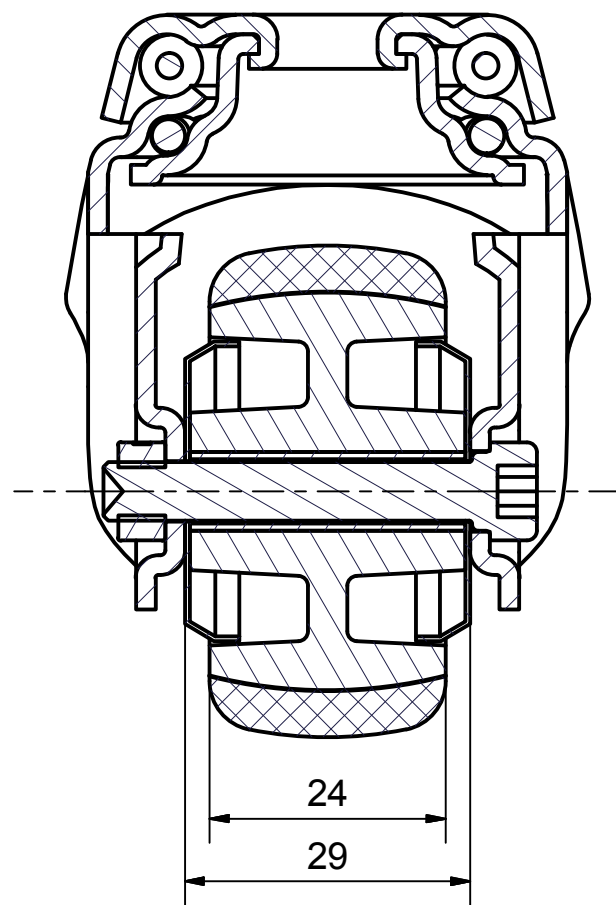



SECTION A-A'



Load Capacity: 50kg, for speed up to 4km/h
(According to EN 12530)

 PRODUCTION OF INSTITUTIONAL CASTORS AND WHEELS THESSALONIKI - GREECE	PERMIS. VARIATIONS:		PART No:	
	SURFACE FINISH:		UNF . DIM.:	
This drawing is the property of RODA S.A. It must neither be reproduced in any manner nor shall it be submitted to third parties or competitors without our written consent	DESIGNED	26/6/2013	E.POLIMEROPOULOU	PART NAME : M.050.TPA.HSG PART DESCRIPTION : Swivel castor, steel support, bolt hole fitting (10,2mm).Wheel 50x24mm,non marking grey rubber (82shA) plain bearing,steel thre
	DRAWN	26/6/2013	E.POLIMEROPOULOU	
	CHECKED	26/6/2013	H.SAATZOGLOU	
C3				DRAWING NUMBER :
B2				SHEET No.
A1				
A/A				QUANTITY
				SCALE
				REPLACE :
				GEN. DWG. NUM. :